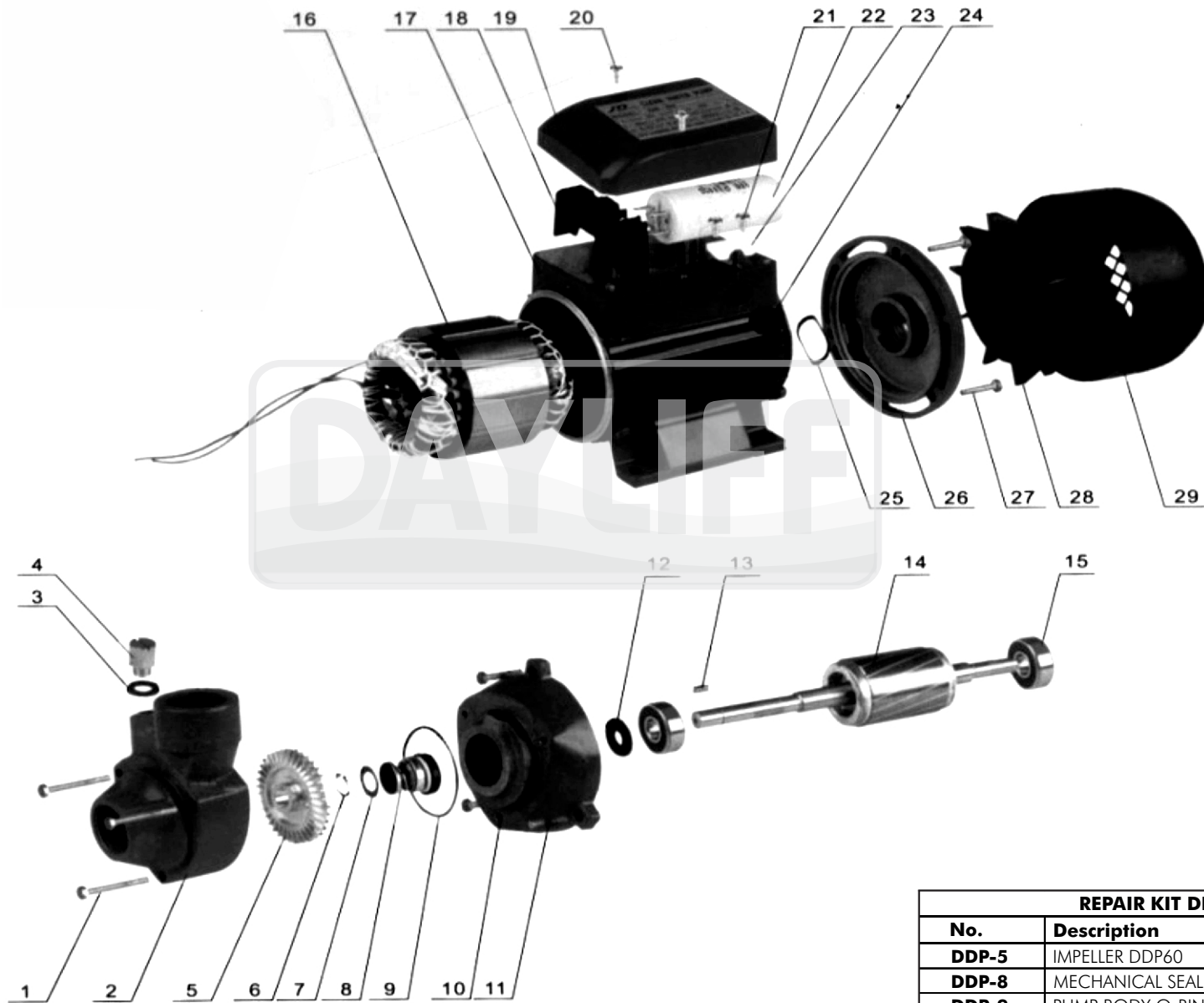


ITEM NO.	DESCRIPTION	MAN.P/NO.	D&S P/NO.
1	Pump Body Screw		NSI
2	<b>Pump Body</b>		<b>DDP-2</b>
3	O-ring for Priming Plug		NSI
4	Priming Plug		NSI
5	<b>Impeller</b>		<b>DDP-5</b>
6	Circlip		NSI
7	Plain Washer		NSI
8	<b>Mechanical Seal</b>		<b>DDP-8</b>
9	<b>O-ring for Pump Body</b>		<b>DDP-9</b>
10	Motor Bracket		NSI
11	Screw For Motor Bracket		NSI
12	Splash Guard		NSI
13	Key		NSI
14	Shaft and Rotor		NSI
15	<b>Ball Bearing</b>		<b>BB-6201</b>
NSI - Non stock item available on special order only			

ITEM NO.	DESCRIPTION	MAN.P/NO.	D&S P/NO.
16	Stator		NSI
17	Motor Case		NSI
18	Terminal Board		NSI
19	Terminal Cover		NSI
20	Screw for Terminal Box Fixing		NSI
21	Screw for Cable Presser		NSI
22	<b>Capacitor 10 <math>\mu</math>F</b>		<b>DDP-22</b>
23	Cable Presser		NSI
24	Waterproof Fairlead		NSI
25	Adjusting Ring		NSI
26	Motor Cover		NSI
27	Motor Cover-motor Case Screw		NSI
28	<b>Fan</b>		<b>DDP-28</b>
29	Fan Cover		NSI
NSI - Non stock item available on special order only			



REPAIR KIT DDP 60		
No.	Description	Qty/kit
DDP-5	IMPELLER DDP60	1
DDP-8	MECHANICAL SEAL DDP60	1
DDP-9	PUMP BODY O-RING DDP60	1