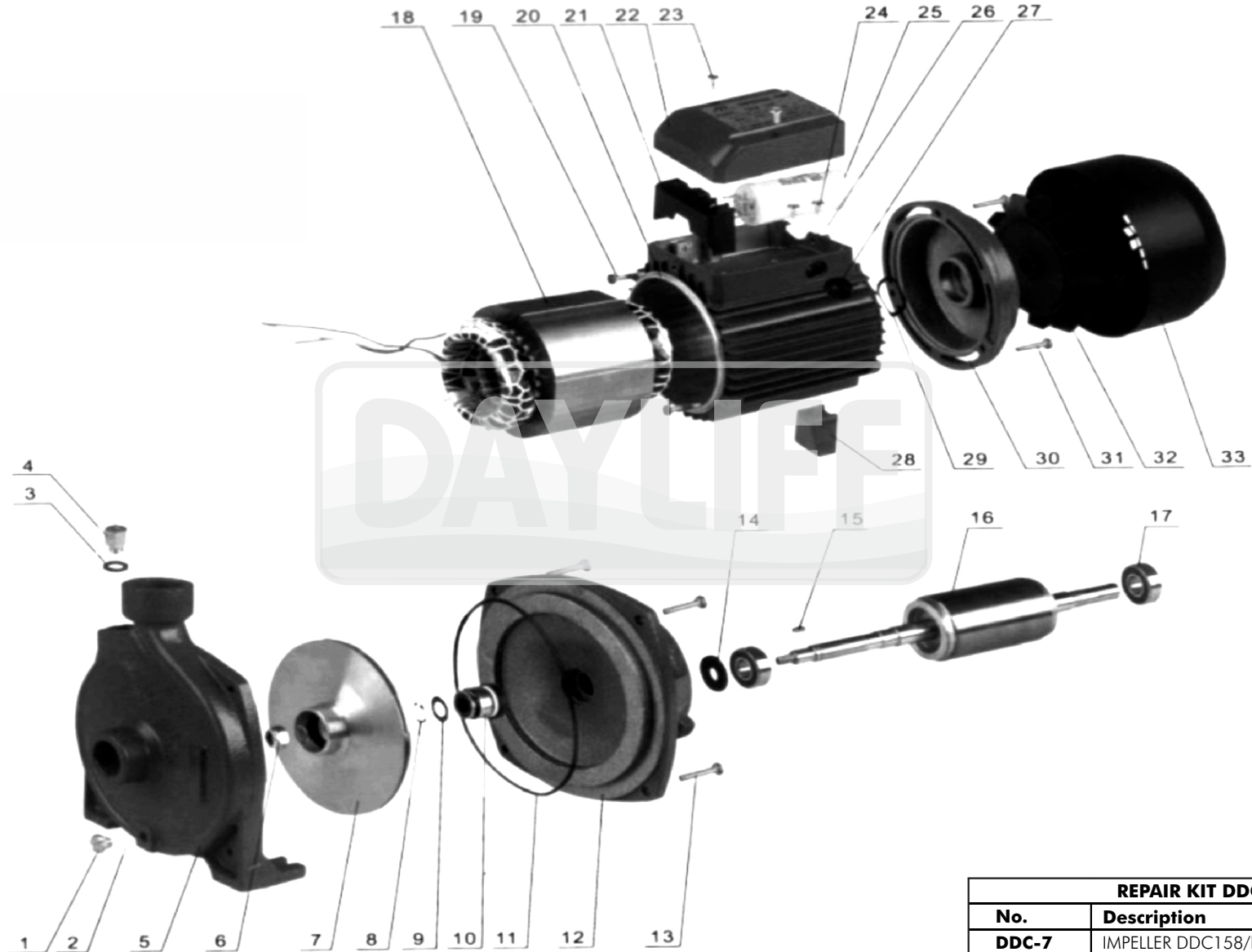


ITEM NO.	DESCRIPTION	MAN.P/NO.	D&S P/NO.
1	Drain Plug		NSI
2	O-Ring for Drain Plug		NSI
3	O-Ring for Priming Plug		NSI
4	Priming Plug		NSI
5	Pump Body		NSI
6	Impeller Stop Nut		NSI
7	<b>Impeller</b>		<b>DDC-7</b>
8	Snap Ring		NSI
9	Plain Washer		NSI
10	<b>Mechanical Seal</b>		<b>DDC-10</b>
11	<b>O-Ring for Pump Body</b>		<b>DDC-11</b>
12	Motor Bracket		NSI
13	Pump Body Screw		NSI
14	Splash Guard		NSI
15	Key		NSI
16	Shaft and Rotor		NSI
17	<b>Ball Bearing</b>		<b>BB-6204</b>
<b>NSI - Non stock item available on special order only</b>			

ITEM NO.	DESCRIPTION	MAN.P/NO.	D&S P/NO.
18	Stator		NSI
19	Motor Bracket-pump Body Screw		NSI
20	Motor Case		NSI
21	Terminal Board		NSI
22	Terminal Cover		NSI
23	Screw for Terminal Box Fixing		NSI
24	Screw for Cable Presser		NSI
25	<b>Capacitor 20 <math>\mu</math>F</b>		<b>DDC-25</b>
26	Cable Presser		NSI
27	Water Proof Fairlead		NSI
28	Supporting Foot		NSI
29	Adjusting Ring		NSI
30	Motor Cover		NSI
31	Motor Cover -motor Case Screw		NSI
32	<b>Fan</b>		<b>DDC-32</b>
33	Fan Cover		NSI
<b>NSI - Non stock item available on special order only</b>			



REPAIR KIT DDC 158		
No.	Description	Qty/kit
<b>DDC-7</b>	IMPELLER DDC158/DDS750	1
<b>DDC-10</b>	MECHANICAL SEAL DDC158	1
<b>DDC-11</b>	O-RING DDC 158	1