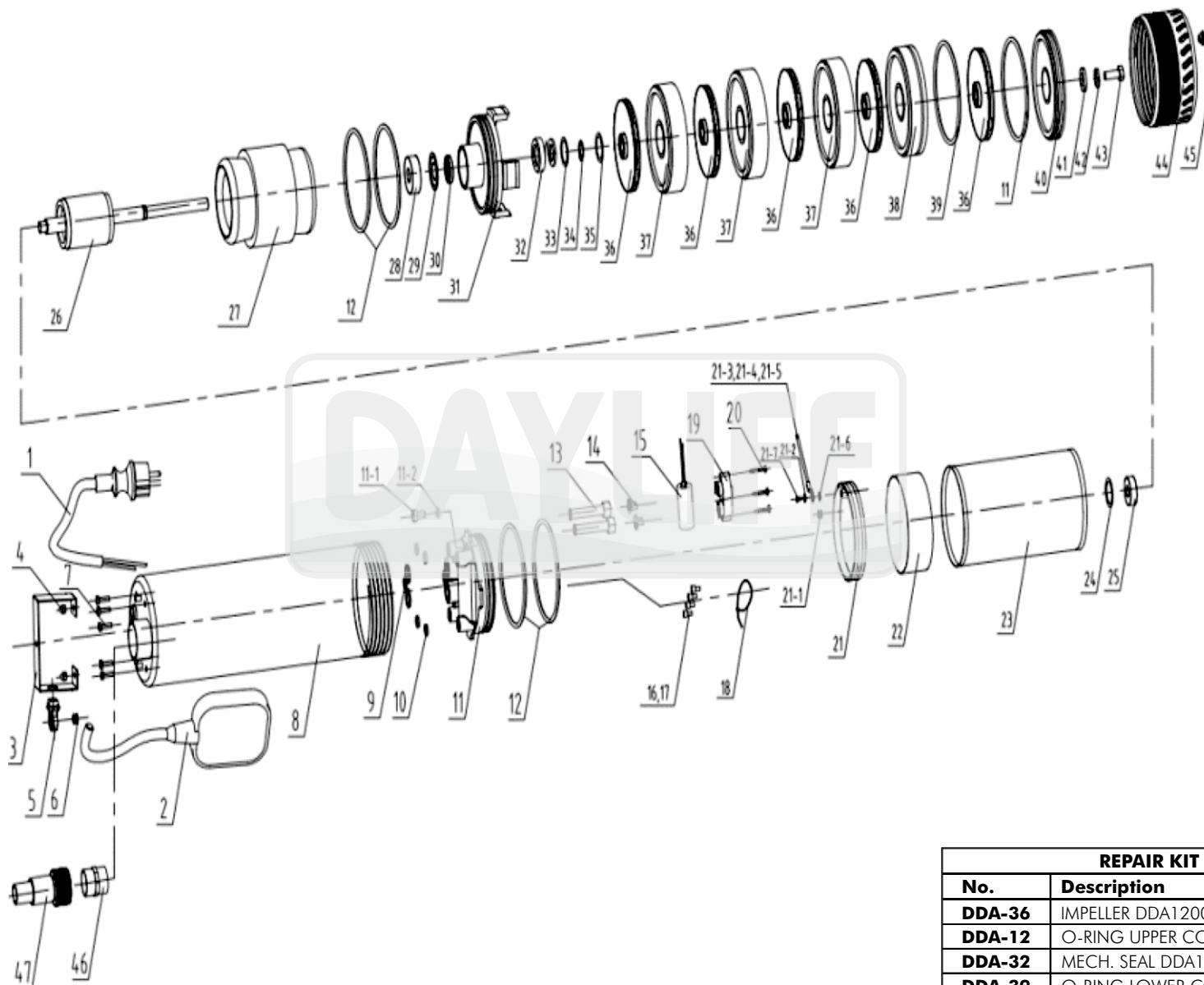


ITEM NO.	DESCRIPTION	MAN.P/NO.	D&S P/NO.
1	Electric cable	JHCT087.01.001	NSI
2	Float switch	JHCT014.01.001	DDA-2
3	Handle	JHCT002.04.001	NSI
4	Nut	GB923 M5	NSI
5	Clip	JHCT012.01.007	NSI
6	Cable sheath	JHCT052.01.042	NSI
7	Bolt	GB818 M5×15	NSI
8	Main body	JHCT010.11.024	DDA-8
9	Seal washer	JHCT032.04.092	NSI
10	Seal washer	JHCT032.04.093	NSI
11	Upper cover	JHCT025.12.006	NSI
11-1	Bolt	GB65 M6×10	NSI
11-2	O-ring	JHCT051.01.048	DDA-11
12	O-ring	JHCT051.01.011	DDA-12
13	Cable sheath	JHCT052.01.036	NSI
14	Cable press pad	JHCT056.02.008	NSI
15	Capacitor 16uF	JHCT084.01.001	DDA-15
16	Nylon safty press cap	JHCT041.01.001	NSI
17	Nylon safty press cap	JHCT041.01.003	NSI
18	Ribbon	JHCT085.01.001	NSI
19	Cable press pad	JHCT055.01.001	NSI
20	Self-tapping screw	GB818 M4X25	NSI
21	Up bearing support	JHCT025.13.005	NSI
21-1	Cable sheath	JHCT052.02.003	NSI
21-2	Washer	GB93 4	NSI
21-3	Yellow-green wire	JHCT086.01.010	NSI
21-4	Wire connecting pad	JHCT041.02.006	NSI
21-5	Heat shrinkable tube	JHCT083.01.001	NSI
NSI - Non stock item available on special order only			

ITEM NO.	DESCRIPTION	MAN.P/NO.	D&S P/NO.
21-6	Washer	GB862.2 4	NSI
21-7	Bolt	GB818 M4×8	NSI
22	Bushing	JHCT020.05.020	NSI
23	Stainless steel motor cover	JHCT024.17.002	NSI
24	Wave washer	JHCT038.01.001	NSI
25	Bearing	GB/T276 6201-2Z	BB-6201
26	Rotor	JHCT023.05.042	NSI
27	Stator	JHCT022.10.052	NSI
28	Bearing	GB/T276 6302-2Z	BB-6302
29	Isolating ring	JHCT043.03.008	DDA-29
30	Lip seal	JHCT051.02.006	DDA-30
31	Down bearing support	JHCT026.13.004	NSI
32	Mechanical seal	JHCT061.02.010	DDA-32
33	Adjustable washer	JHCT038.02.013	NSI
34	Ring-shield	GB894.1 15	NSI
35	Adjustable washer	JHCT038.02.028	NSI
36	Impeller	JHCT009.04.091	DDA-36
37	Deflector tray body	JHCT036.01.010	DDA-37
38	Deflector tray body	JHCT036.01.053	DDA-38
39	O-ring	JHCT051.01.144	DDA-39
40	Gland cover	JHCT051.05.011	NSI
41	Flat washer	JHCT038.04.002	NSI
42	Spring washer	GB93 6	NSI
43	Bolt	GB5781 M6×16	NSI
44	Base	JHCT006.10.009	NSI
45	End cap	JHCT047.01.003	NSI
46	Reducer coupling	JHCT030.02.001	NSI
47	Out-put connector	JHCT027.02.001	NSI
NSI - Non stock item available on special order only			



REPAIR KIT DDA 1200C		
No.	Description	Qty/kit
DDA-36	IMPELLER DDA1200C	3
DDA-12	O-RING UPPER COVER DDA1200C	1
DDA-32	MECH. SEAL DDA1200C	1
DDA-39	O-RING LOWER COVER DDA1200C	1